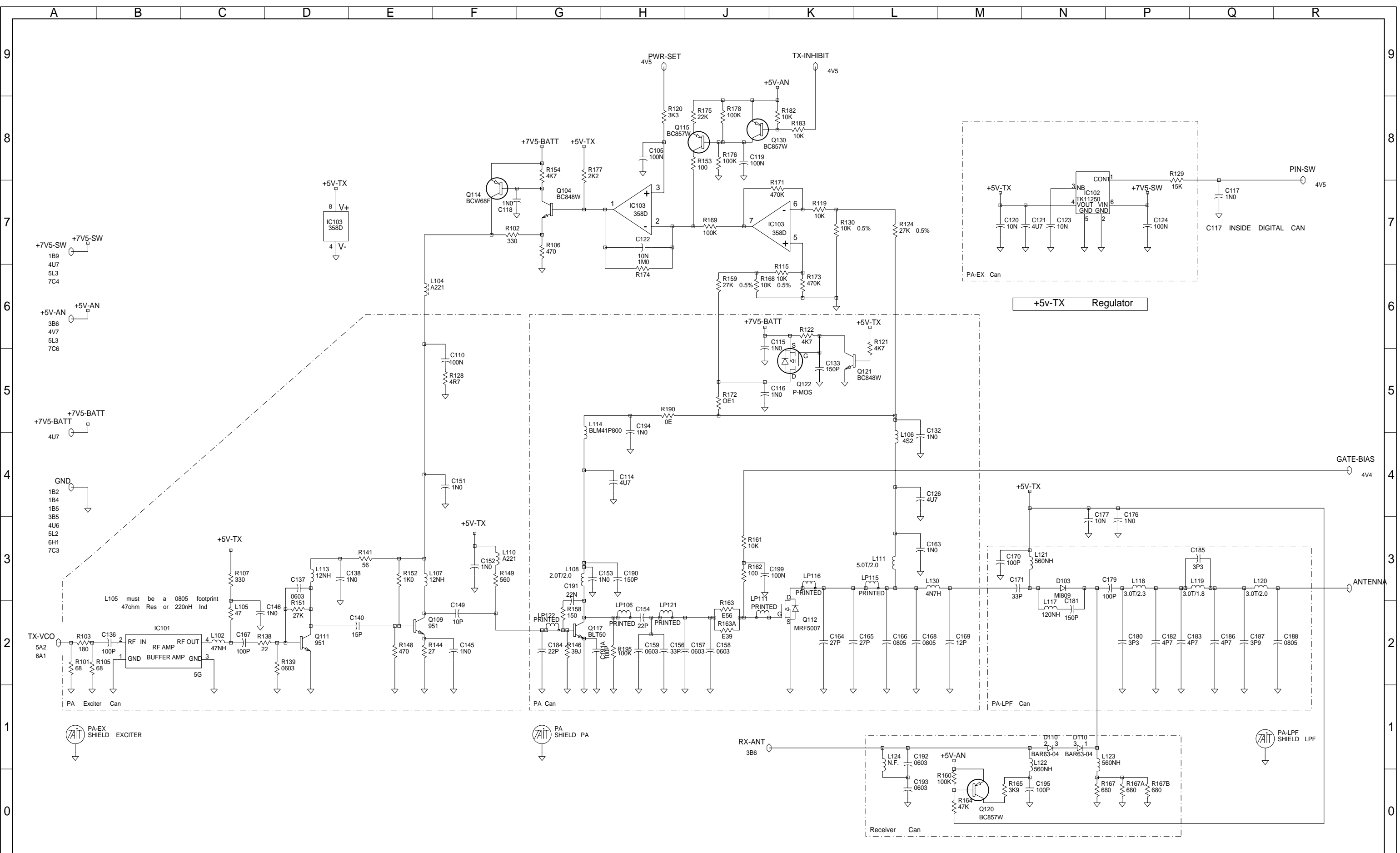


REV/ISS	AMENDMENTS	DRAWN	CHKD	D.O.	APVD	DATE
10B	CHANGED C572 FROM 0603 TO 0805	BRD				11-5-99
10A	MUTE MOD/ALC/BIRDY MODS	BRD				11-03-99
09A	UPDATES TO COIL PADS	BRD				04/02/99
05	MOREUPDATES	DBH				
04	UPDATED AND MOVED AERIAL SOCKET	MAJ				
03 B	UPDATED VALUES ADDED CANS TO PLA	MAJ				

© TAIT ELECTRONICS  
 ORCA : 400-440MHZ  
 SYSTEM DIAGRAM

IPN: 220-01392-10    ISSUE: B    ID: 2.S.C. 1

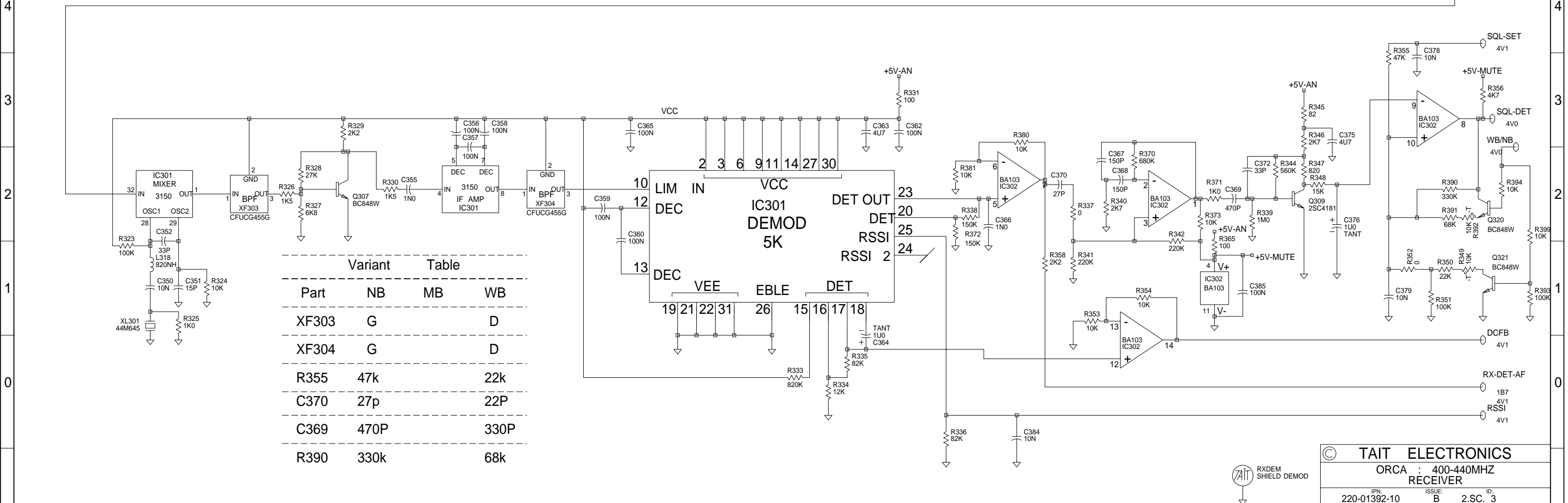
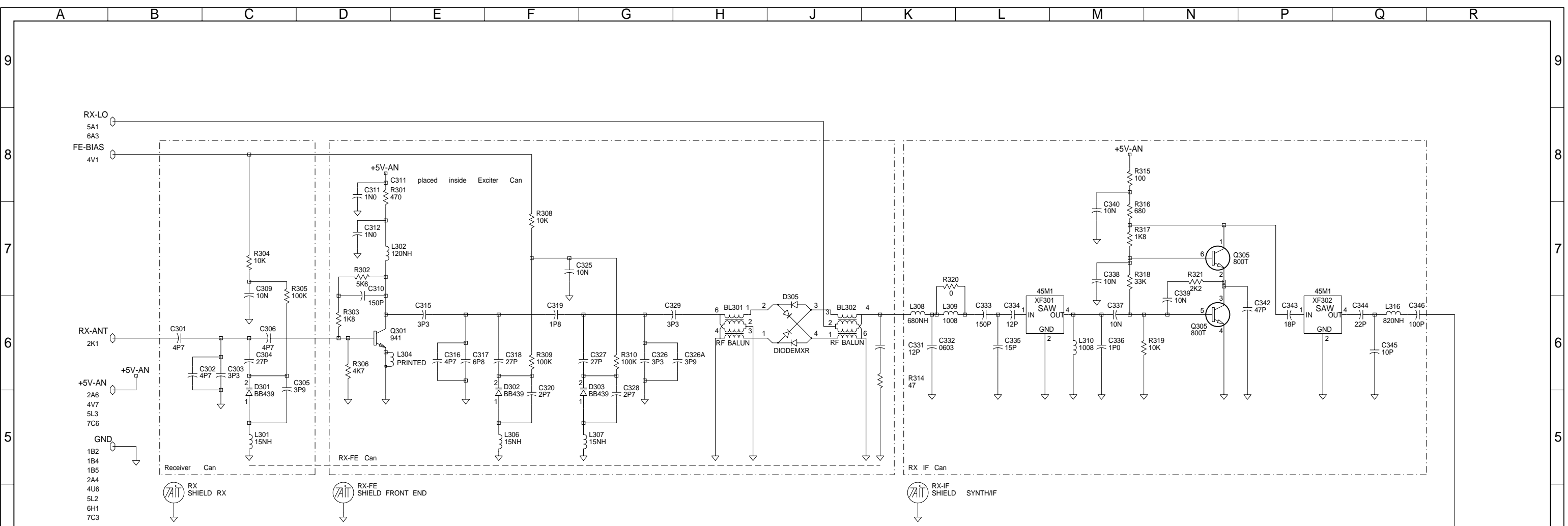
PROJECT: ORCA    DESIGNER: BRD    FILE NAME: 139210B    FILE DATE: 11/05/99    NO.SHEETS: 7



© TAIT ELECTRONICS  
 ORCA : 400-440MHZ  
 POWER AMPLIFIER

IPN: 220-01392-10	ISSUE: B	ID: 2.S.C. 2
PROJECT: ORCA BRD	DESIGNER: 139210B	FILE DATE: 11/05/99
NO. SHEETS: 7		

REV/ISS	AMENDMENTS	DRAWN	CHKD	D.O.	APVD	DATE
A						

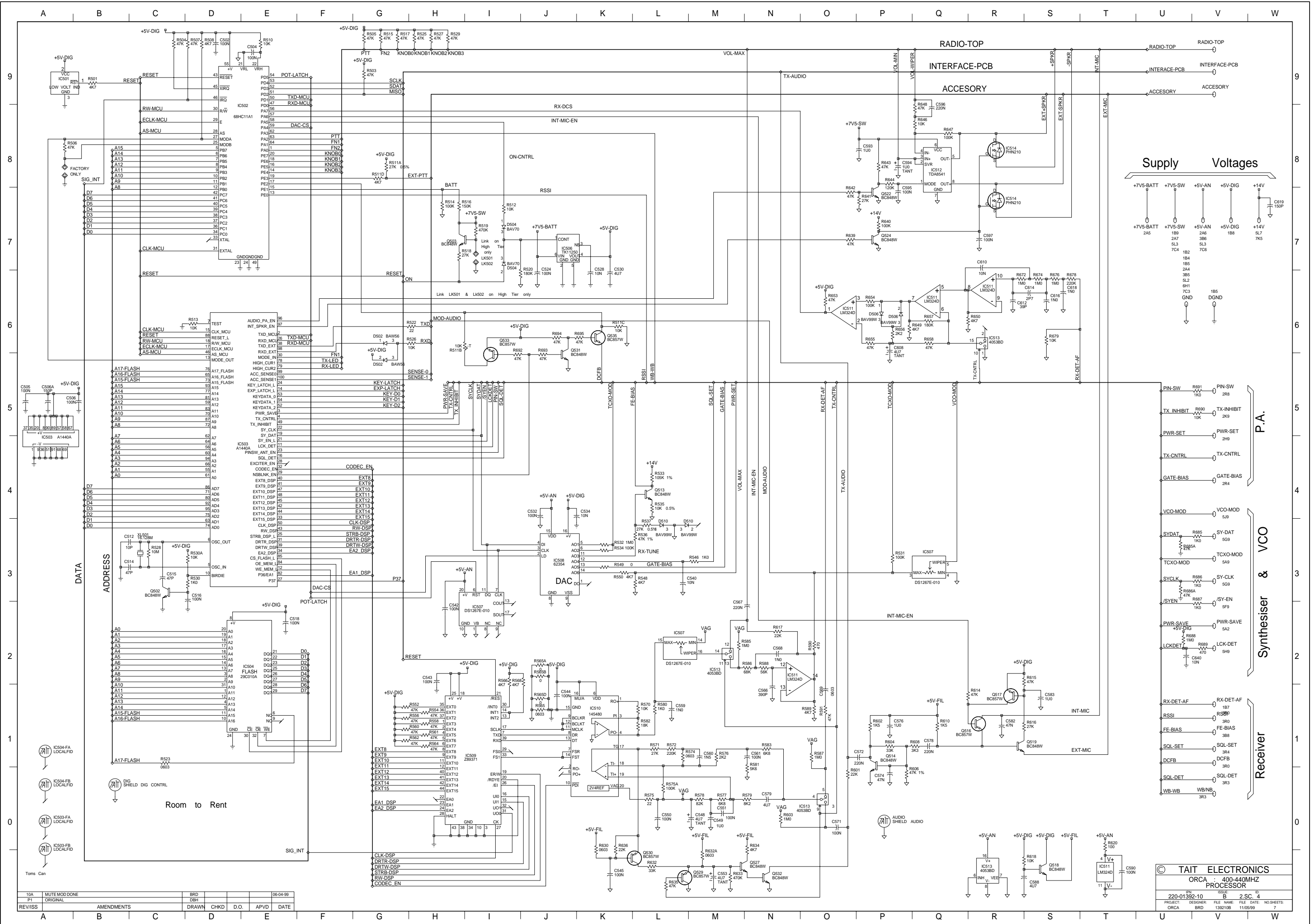


Variant Table

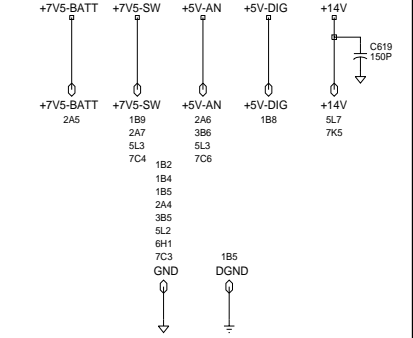
Part	NB	MB	WB
XF303	G		D
XF304	G		D
R355	47k		22k
C370	27p		22P
C369	470P		330P
R390	330k		68k

© TAIT ELECTRONICS  
 ORCA : 400-440MHZ RECEIVER  
 IPN: 220-01392-10 ISSUE: B ID: 2.S.C. 3  
 PROJECT: ORCA BRD DESIGNER: FILE NAME: 139210B FILE DATE: 11/05/99 NO.SHEETS: 7

REV/ISS	AMENDMENTS	DRAWN	CHKD	D.O.	APVD	DATE



**Supply Voltages**



- PIN-SW 28B
- TX-INHIBIT 28J
- PWR-SET 28H
- TX-CNTRL 28K
- GATE-BIAS 28L
- VCO-MOD 510
- SY-DAT 509
- TCXO-MOD 509
- SY-CLK 509
- SY-EN 509
- PWR-SAVE 509
- LCK-DET 509
- RX-DET-AF 187
- RSSI 380
- FE-BIAS 388
- SOL-SET 384
- SOL-DET 383
- WB-WB 383

**P.A.**

**Synthesiser & VCO**

**Receiver**

Room to Rent

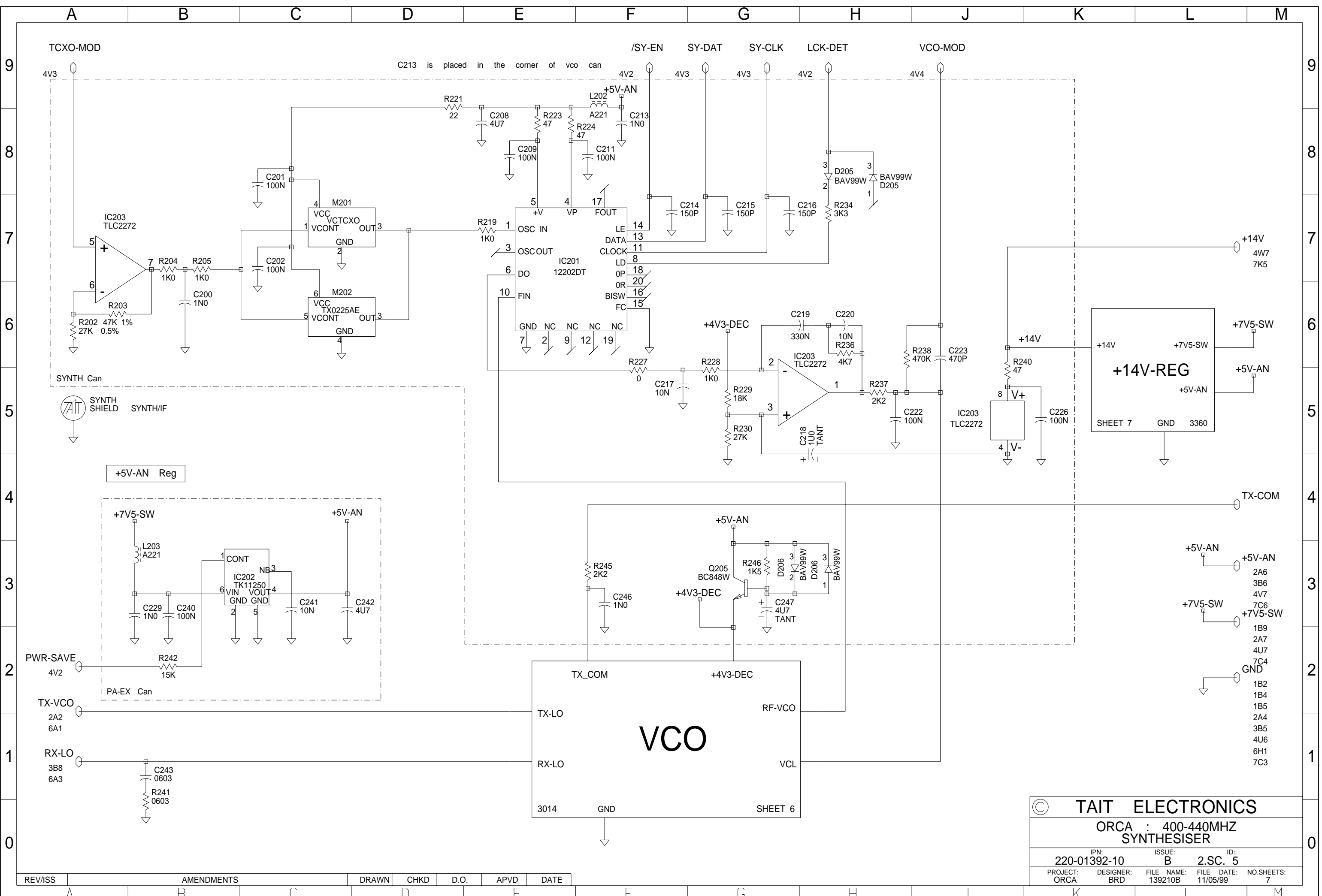
10A	MUTE MOD DONE	BRD	06-04-99
P1	ORIGINAL	DBH	
REV/ISS	AMENDMENTS	DRAWN	CHKD
		D.O.	APVD
			DATE

© TAIT ELECTRONICS

ORCA : 400-440MHZ PROCESSOR

220-01392-10 B 2-SC 4

PROJECT: ORCA BRD 139210B 11/05/99 NO SHEETS 7



C213 is placed in the corner of vco can

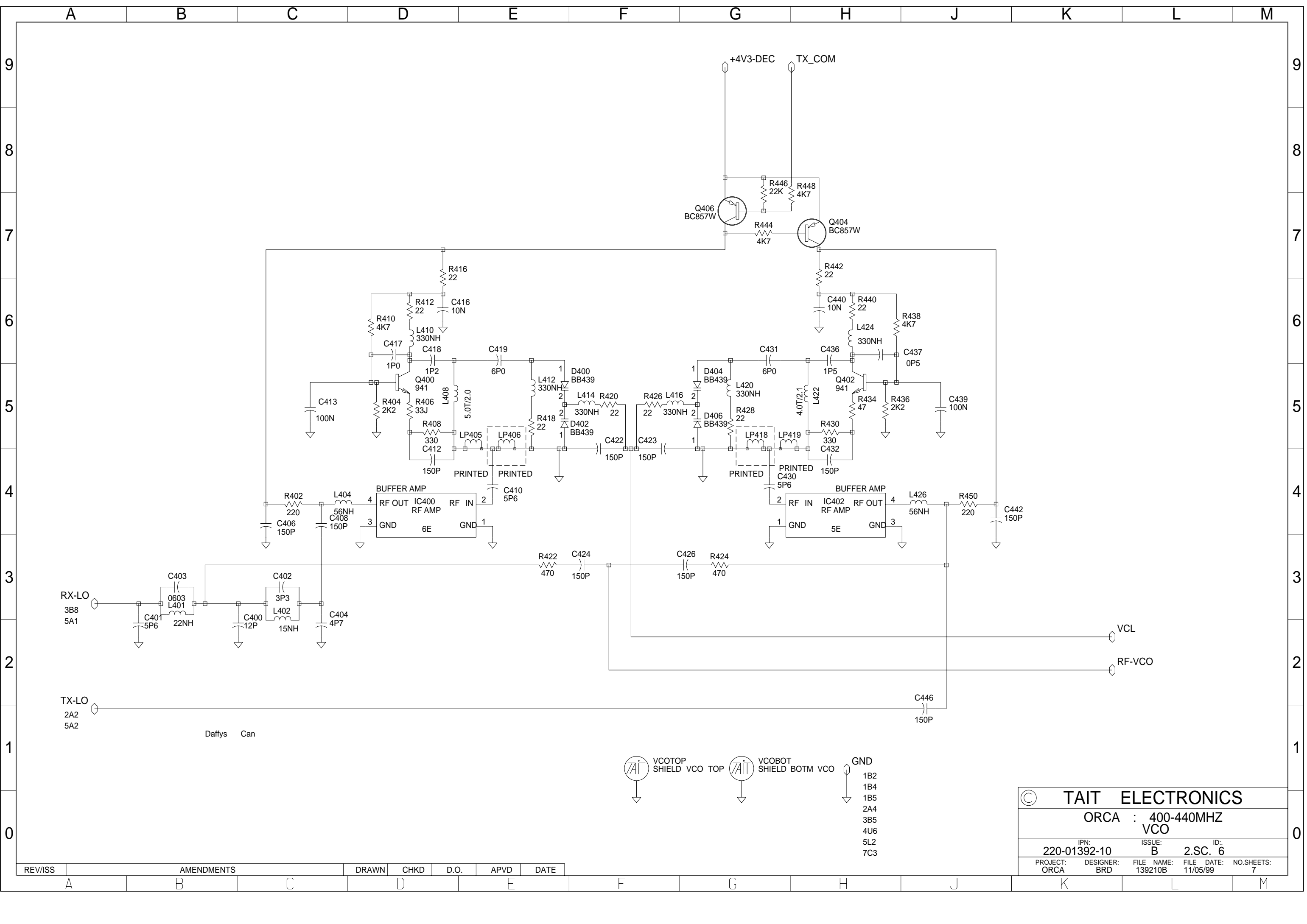
**+14V-REG**  
SHEET 7  
GND 3360

**VCO**  
3014 GND  
SHEET 6

© TAIT ELECTRONICS				
ORCA : 400-440MHZ SYNTHESISER				
IPN:	ISSUE:	ID:		
220-01392-10	B	2.SC. 5		
PROJECT:	DESIGNER:	FILE NAME:	FILE DATE:	NO.SHEETS:
ORCA	BRD	139210B	11/05/99	7

REV/ISS	AMENDMENTS	DRAWN	CHKD	D.O.	APVD	DATE

- +5V-AN 2A6
- +5V-AN 3B6
- +5V-AN 4V7
- +7V5-SW 7C6
- +7V5-SW 1B9
- +7V5-SW 2A7
- +7V5-SW 4U7
- +7V5-SW 7C4
- GND 1B2
- GND 1B4
- GND 1B5
- GND 2A4
- GND 3B5
- GND 4U6
- GND 6H1
- GND 7C3



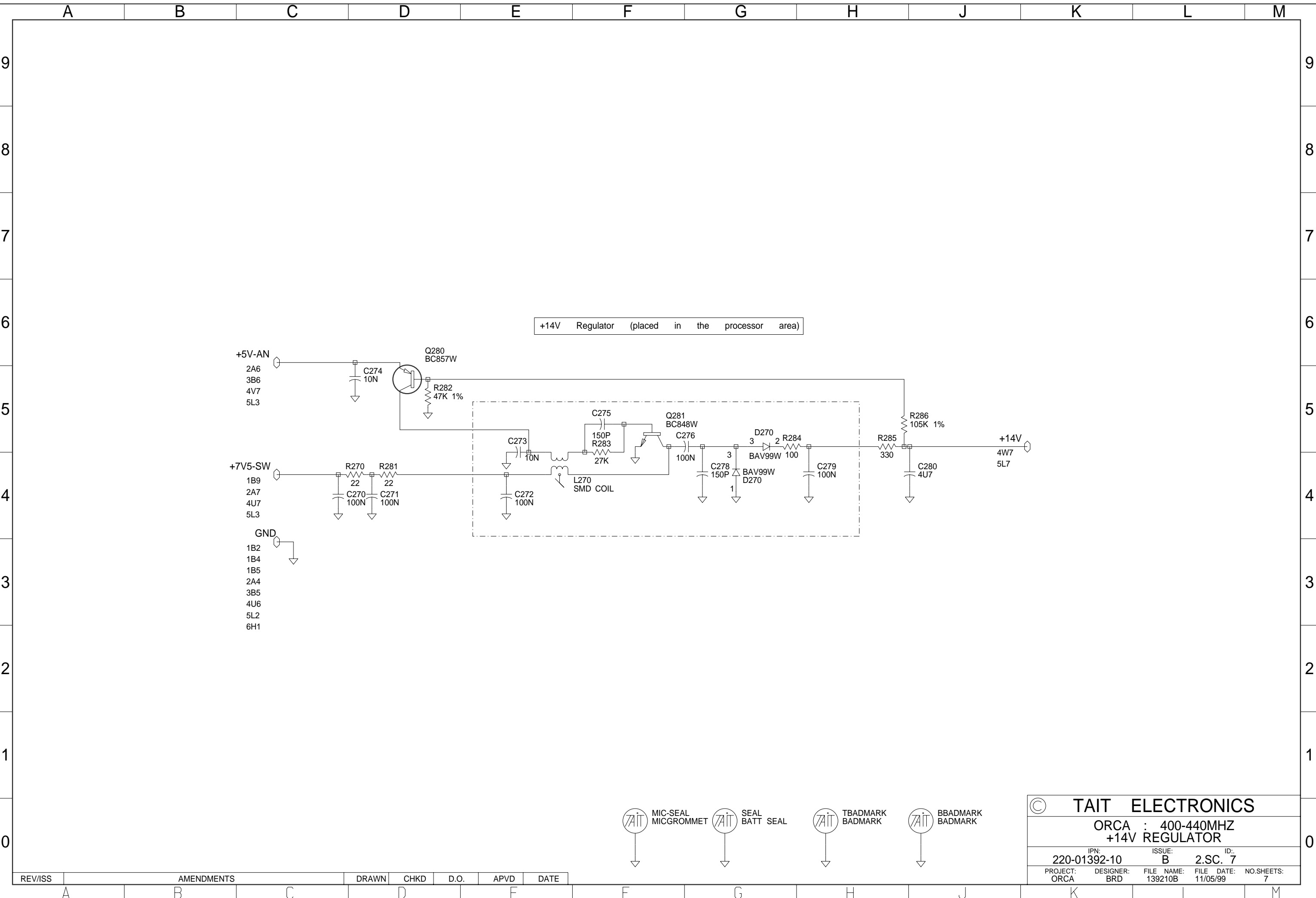
© TAIT ELECTRONICS

ORCA : 400-440MHZ  
VCO





IPN: 220-01392-10    ISSUE: B    ID: 2.SC. 6

PROJECT: ORCA    DESIGNER: BRD    FILE NAME: 139210B    FILE DATE: 11/05/99    NO.SHEETS: 7

REV/ISS	AMENDMENTS	DRAWN	CHKD	D.O.	APVD	DATE



+14V Regulator (placed in the processor area)

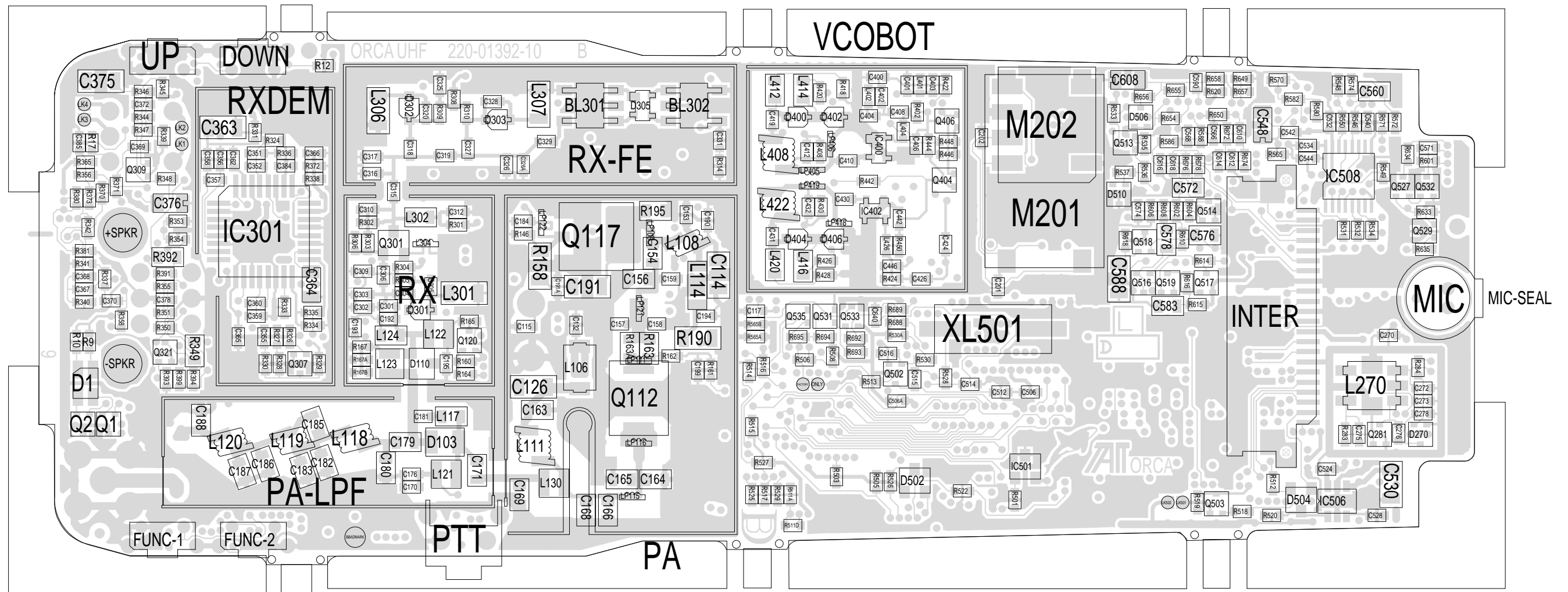
-  MIC-SEAL  
MICGROMMET
-  SEAL  
BATT SEAL
-  TBADMARK  
BADMARK
-  BBADMARK  
BADMARK

<b>© TAIT ELECTRONICS</b>				
ORCA : 400-440MHZ +14V REGULATOR				
IPN: 220-01392-10	ISSUE: B	ID: 2.SC. 7		
PROJECT: ORCA	DESIGNER: BRD	FILE NAME: 139210B	FILE DATE: 11/05/99	NO.SHEETS: 7

REV/ISS	AMENDMENTS	DRAWN	CHKD	D.O.	APVD	DATE







TAIT ELECTRONICS IPN: 220-01392-10 ISS: -10B ID: 6.BA DATE: 13 May 1999  
 ORCA UHF PCB LAYOUT - BOTTOM SIDE